

Chapel Hill Newsletter



Pastor's Page

February, 2016

As we enter into the Lenten season (Ash Wednesday Feb. 10), perhaps we are praying that winter will somehow come to an end and we can begin to think about planting our gardens and flowers soon. Lent is the time (40 days) in which we are invited to examine our lives through prayer, fasting, and self-denial. It is a time to examine our attitudes and relationship towards and with God. Is our relationship with God what it ought to be?

Are we as committed and faithful to God's will and to the purpose that he created our lives to be? Rarely in the Bible does God command someone to "stay." Instead he opens a door and invites us to walk through it—into an unknown. And whether we stay or go will ultimately determine the kind of life we'll live and the kind of person we'll become.

But it's not just one door. God places lots of open doors in front of us everyday. For those who recognize them and choose to walk through, life becomes a divine adventure. And those who don't? Well...not only are they missing out on a lot of incredible adventures and experiences, they're missing out on all the amazing work God wants to do through them!

This year for Lent we are looking at the doors that God puts in front of us. What do the doors look like and how will we know them? What opportunities does God place in front of us to grow in our faith and to share that faith with each other? So our Lenten messages will center around God placing doors in front of us and asking ourselves "What Will We Do?" Join us on February 10 for Ash Wednesday Service at 6:30 pm as we explore this together. God has an amazing plan for you. All you need to do is to walk through the door. And who knows? You just might do something that lasts for eternity.

One of the opportunities for us is to walk, yes walk, in the CROP Walk. I know, there is still snow on the ground and you want us to think about walking in the warm sunshine. Did you know that the CROP Walk is coming? On May 15 we will gather at the St Joe First Congregational Church to hear a few words of encouragement and then walk, going the extra mile for those who have to walk to get water and food on a daily basis. Did you know that for every dollar we collect for CROP, 25% of that stays right here in Berrien County? The money goes to help 6 different agencies: Benton Harbor Soup Kitchen, Benton Harbor Street Ministries, Fairplain Presbyterian Church Food Pantry, Salvation Army, Bread of Heaven Food Pantry at Berrien Springs UMC, and The Catholic Community Center. Last year that amounted to about \$1800 for each of them.

We collected a total just over \$43,000 in the Blossomland CROP Walk. We are the 5th largest walk in the state of Michigan. The national average is \$50 per walker and the Michigan average is \$100 per walker. The Blossomland CROP Walk averages about \$150 per walker. YEAH! YEAH!

So what do you say, will you begin to pray and think about helping us this year? By late March you can sign up to walk or sponsor someone who will be walking. There will be more information to come. And oh by the way, I am the new Co-Coordinator for the Blossomland CROP Walk this year. So we might hear a thing or two about the walk from time to time.

What opportunities, open doors, does God have for you in 2016? Can we see the doors? And what will we do? Will we enter on faith to see new experience God has waiting for us or will we move away missing out on something awesome? My prayer is together we will find the strength and encouragement to try something new!

Peace be the journey,

Pastor Mark

SERMONS AND SCRIPTURE READINGS FOR FEBRUARY

Feb 7	Build Your Church	Matthew 25:31-45
Feb 10	Ash Wednesday Service “How Will You Know?”	Revelation 3:7-8
Feb 14	Open and Shut	Genesis 12:1-5
Feb 21	FOMO	Ruth 1:16-17
Feb 28	Myths About Doors	Ephesians 1:4



Ash Wednesday Service
February 10, 2016 at 6:30 pm

No matter who you are or where you're at in life, each and every day is alive with opportunity!
Maybe you're in a rut, and while that is safe, it is not exactly fulfilling. You want to do more and be more, but what and how?

The point is, our lives are filled with open doors. But “open door” isn't a phrase to describe just any opportunity. An open door is an opportunity provided *by* God, to act *with* God and *for* God. If we want to experience more of the Spirit of God in our lives, we need to train ourselves to look for and respond to moments of divine opportunity. So in the season of Lent we will look at the open doors and ask to help us as we come to open doors. Somewhere out there God has placed before you an open door. The question is... what will you do? We will begin with Ash Wednesday asking how will we know and end at Easter with the door in the tomb.



Keep in our Prayers

Our Pastor
and

Those individuals who are serving
within our church fellowship and
our community.

May their lives show Christ in all they
do and say.

Lenten Evening Services Schedule:

- Feb 14 @ Bridgeman Faith UMC with Rev. O’Ryan Rickard preaching
- Feb 21 @ Sodus Chapel Hill UMC with Rev Brenda Gordon preaching
- Feb 28 @ Pokagon UMC with Rev Terrill Schneider preaching
- March 6 @ Berrien Springs UMC with Forrester Brothers Concert
- March 13 @ Hinchman UMC with Rev Mark Mitchell preaching
- March 20 @ Arden UMC TBD who will be preaching
- March 24 @ Scottdale UMC with Communion
- March 25 @ Sodus Chapel Hill with Good Friday service



Opportunities to support Chapel Hill UMC

UMCmarket

Together Supporting Our Church

We have a new opportunity

UMCmarket

This is a website where you can purchase from a wide variety of websites: electronics, clothes, educational, auto supplies, insurance, travel and more

While purchasing thru this website a percentage of your purchase comes back to Chapel Hill UMC.

The stores are endless...

Best Buy Barnes & Noble Sears

Vitamin Shoppe Groupon

Overstock.com Kohl's Lowes

& more

CHECK IT OUT.... <http://www.umcmarket.org>

CHAPEL HILL IS GOING FOR GOLD

Gordon Food Service has a points Program that we are enrolled in called Gordon Go. Everyone can earn points on any purchase. So when you check out - tell them you'd like the points put towards Chapel Hill, Sodus. You don't need a number or ID card. If you have questions ask Sandy Keath.
Thank you very much

MORE Opportunities to help support Chapel Hill UMC

What is AmazonSmile?

AmazonSmile is a simple and automatic way for you to support your favorite charitable organization every time you shop, at no cost to you. When you shop at smile.amazon.com, you'll find the exact same low prices, vast selection and convenient shopping experience as Amazon.com, with the added bonus that Amazon will donate a portion of the purchase price to your favorite charitable organization. You can choose from nearly one million organizations to support.

How do I shop at AmazonSmile?

To shop at AmazonSmile simply go to smile.amazon.com from the web browser on your computer or mobile device. You may also want to add a bookmark to smile.amazon.com to make it even easier to return and start your shopping at AmazonSmile.

Which products on AmazonSmile are eligible for charitable donations?

Tens of millions of products on AmazonSmile are eligible for donations. You will see eligible products marked "Eligible for AmazonSmile donation" on their product detail pages. Recurring Subscribe-and-Save purchases and subscription renewals are not currently eligible.

Can I use my existing Amazon.com account on AmazonSmile?

Yes, you use the same account on Amazon.com and AmazonSmile. Your shopping cart, Wish List, wedding or baby registry, and other account settings are also the same.

Benefits

- Receive rewards for all your Meijer shopping, including gas and convenience store purchases!
- No minimum or maximum spending amount.
- Purchases can be made with cash, PIN-debit card or a Meijer Credit Card.
- Receive exclusive savings periodically!
- Your account is accessible anytime online at Meijer.com/rewards.



About the Program

Enrolled members shop Meijer, simply paying with cash, PIN-based debit card or linked Meijer Credit Card. Purchases made with a linked Meijer Credit Card earn 1%. Purchases made with cash or PIN-based debit card and a swiped Meijer 1 CardSM earn 0.5%.

Each year, at least 6% of Meijer net profits go toward overall community giving - one of the highest percentages in the retail industry!

UPCOMING EVENTS

FOR MORE INFORMATION ON WORKSHOPS -
GO TO events.michiganumc.org

CRD Tools for Ministry Workshop February 2, 2016 4:40pm - 8:00pm

"Lets Sharpen Our Ministry Tools" You are invited to attend our annual laity training event, Tools for Ministry, on Tuesday, February 2 at Grand Blanc United Methodist Church. Registration starts at 4:30pm, dinner from 5:00pm - 6:00pm, worship 6:00pm - 6:30pm, and ten training sessions from 6:30pm - 8:00pm. We are offering sessions on SPPRC, Children's Music, Children's Ministry, Conflict Resolution, Lay Leader/Lay Delegate, MissionInsite,



Winter 2016-Lay Servant

February 6 @ 9:00am - 3:00pm

Winter 2016 GR District Lay Servant-Lay Speaking Training at Trinity UMC

Worship Workshop with Rev. Cathy Townley

February 6, 2016 9:00am to 3:00pm

Churches who are part of the Vital Church Initiative (or who are considering participation) are invited to a Worship Workshop at Brighton First UMC, February 6, 2016

one - eighty

Turnaround Church Conference
Thursday, March 10, 2016
8:30am - 4:30pm

General Sessions presented by Dr. Rod Kalajainen
(Pastor of Redeemer Church)

Dr. Winston Worrell

(Director, World Methodist Evangelism Institute, Atlanta, GA)

Workshops for 2016 Include: Getting Your Ministry Aligned, Proverbs for Leadership, Evangelism, Leading a Contemporary Worship Team, Planning Big Days, Welcoming Guests, How Do You Spell Volunteers, and Strategic Planning, Interactive Hospitality

Conference Cost - includes lunch

\$49/per person until Feb. 26 , \$59 after Feb. 26 * Group rates available



Ministry Needs

Lay Participant Forms

Please sign up for lay participant positions.

Liturgists: Greeters:

Coffee Hour: Nursery:

The sign up sheets are on the foyer table.

Contacts:

Liturgists: Linda Bennett 944-1961

Greeters: Karen Hook 463-8535

Coffee Hour: Sandy Keath 208-0115

Nursery:

HARD TO BELIEVE HOWEVER SPRING IS JUST AROUND THE CORNER AND THAT
MEANS WE WILL SOON BE UPON **THE EASTER SEASON**

LOOK IN UPCOMING BULLETINS FOR MORE INFORMATION ON ORDERING YOUR
SPRING FLOWERS TO HONOR OR GIVE IN MEMORY OF FAMILY/FRIENDS.

The deadline for weekly announcements going into the bulletin is Thursday at 10:00 a.m. However, we take prayer requests until the bulletin is printed.

The deadline for newsletter items for **March** is **Thursday February 11 at 9:00 am**



FEBRUARY BIRTHDAYS

02/03 Sally Dunbar
02/04 Paul Koehler
Jacob Burbach
02/05 Dennis Dilts J
Luke Bennett
02/06 Carolyn Goldner
02/07 Louisa Bahus
02/08 Hank Priebe
02/09 Donna Swisher
02/11 Brian Harner
Mikayla Watson
02/12 Joe Lambrecht
02/13 Jim Ertman
02/15 Pete Case
Hunter Hall

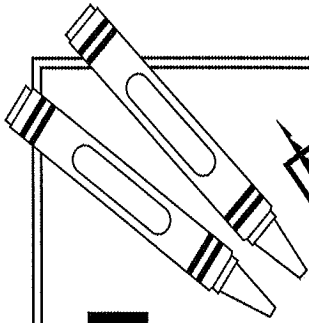
02/17 Jim Priebe
02/18 Wendy Harris
02/21 Jonni Glassman
02/22 Dave Dustin
02/23 Paul Burgess
02/24 Sandra Pullins
Rinehart Bennett
02/25 Taylor Dustin
02/26 Sandy Hartner
02/27 Bob Dunbar
Isabella Harris
02/28 Barb Brady



FEBRUARY ANNIVERSARIES

1/10 Jerry and Aimee Glassman
1/11 Robert and Louisa Bahus
1/25 Dale and Carole Vander Linden

If we have missed a birthday or anniversary, or have you listed incorrectly, please call the office so that we may update our information.



PUZZLE

True Friendship

What makes someone a good friend?
The Bible offers lots of advice about true friendship.

Directions: Starting at the *, connect the dots clockwise and complete the words using the word bank. Then fill in Proverbs 27:9, NIV.

WORD BANK:

heart prings ir verbs vice ness end

27:9, NIV

pleasant

• PRO _____

*
The

• OF

• ad _____

• a

_____ felt •

• Fri _____

the _____ •

• s _____

from •

27:9, NIV

FRIENDSHIP CARDS



This month, don't just *send* valentines; *be* a valentine! Create these Friendship Cards to express love through kind acts for your loved ones — all month long.



What you need:

- 29 index cards
- A small box or container
- Colored pens or glitter pens
- Stickers

What you do:

1. On each card, write something nice you can do for other people. Ideas include "Give someone a hug," "Clean someone's room," "Read to someone" and so on. You can use colored pens to draw a picture.
2. Decorate the box or container. Place the cards inside.
3. Each day in February, select a card and do that nice thing for someone!

Answers: The pleasantness of a friend springs from their heartfelt advice. Proverbs 27:9, NIV

February

Sun	Mon	Tue	Wed	Thu	Fri	Sat
	1	2	3	4	5	6
7 Communion	8 Trustee's Meeting 7:30pm	9 Prayer group 10:00 am	10 ASH WEDNESDAY Worship Service 6:30pm	11	12	13
14 Children Participate in Worship Service	15	16 Prayer group 10:00 am SPRC Meeting 7:00pm	17 Bells 6:30pm Choir 7:30pm	18	19	20
21	22	23 Prayer group 10:00 am	24 Bells 6:30pm Choir 7:30pm	25	26	27
28 Potluck Celebrate Birthdays & Anniversaries	29					



A Reflection of Christ's Love
Chapel Hill United Methodist Church
4071 Naomi Rd
Sodus, MI 49126-9768



CHAPEL HILL NEWS

February 2016

Phone: (269) 927-3454

Parsonage: (269) 925-4528

E-mail: chumcsodus@comcast.net

Websites: www.chumcsodus.org

www.chapelhill-craftshow.org

Adult Sunday School: 9:30 a.m.

Sunday Worship: 10:30 a.m.

K-12 Sunday School: after the children's message

Mark Mitchell, Pastor

Church Office Hours
Tuesday through Friday
9:00 a.m. - 1:00 p.m.

In case of emergency when the office is closed,
please try the parsonage (925-4528).

Wondering if We Will Have Worship?

Since Michigan has been known to occasionally have inclement weather, should our worship service and Sunday school need to be cancelled for safety reasons, our policy is to contact TV channels 16 and 22 by 8:00 a.m. Sunday morning.

If in doubt about services being held please check both of these sources for their closing lists. Let's all stay safe this winter !